

DISPLAY STANDS Ltd



WWW.DISPLAY-STANDS-UK.COM | SALES@DISPLAY-STANDS-UK.COM | 023 92632 633

DS47 Assembly Instructions

Ideal display for Greeting card retailers, wholesalers, gift shops and visitor attractions.

- 12 clear acrylic pockets
- Fits 5" x 5", 5" x 7", 6" x 4", 6" x 6" & 7" x 7" Cards Portrait & Landscape.
- Adjustable pockets
- UK Designed & Manufactured
- No overlap
- Lazy susan bearing base (supplied & fitted)
- Full front facing display
- Robust build
- Clear acrylic frame
- Easy to assemble
- Small footprint
- Rotating
- Supplied flat packed
- 11 pocket placement positions
- Plastic rivets (supplied) for assembly and pocket positioning

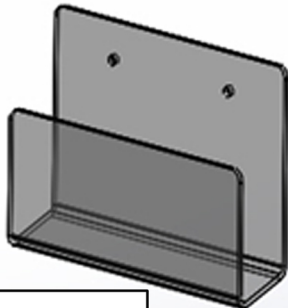




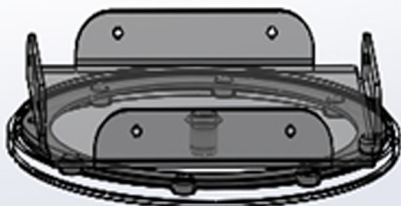
DS47 - Components



1. Rivet Pins



2. Pockets



3. Rotary Base



4. Top Cap



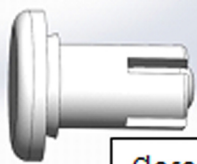
- 1. Rivet pins in white plastic. Qty 24.
- 2. Pockets in clear plastic. Qty 12
- 3. Rotary base in clear plastic. Qty 1
- 4. Top cap in clear plastic. Qty 1
- 5. Panels in clear plastic. Qty 4

Remove all coloured protection film from the plastic sheet before assembly.
This will be on both sides of the sheet.

Open position



1) The rivet pin can be open or closed.

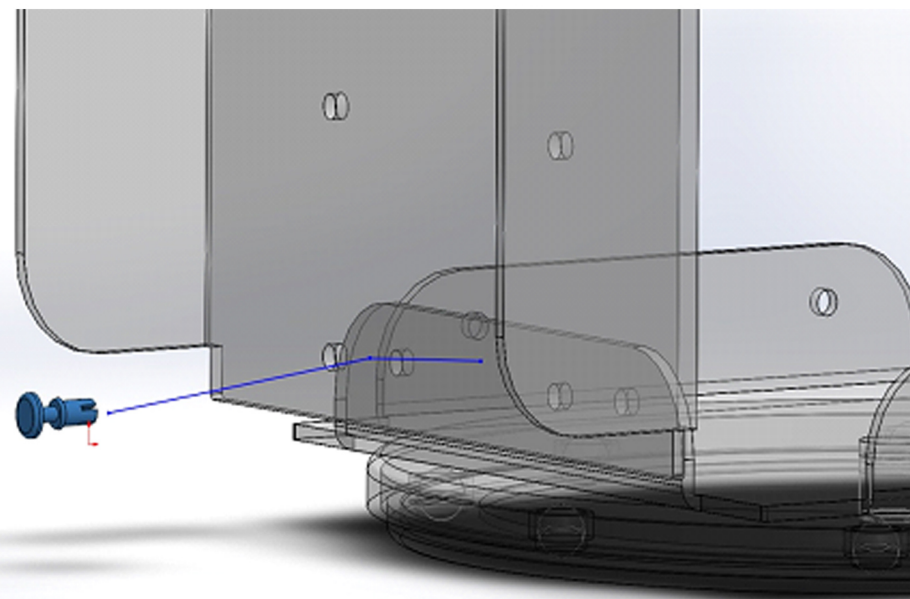


Closed position

2) Start with the Rotary base and one panel. Align the bottom two holes on the panel with two holes on one of the flanges of the base unit.

With the rivet in the open position, push a rivets through the holes of the panel and through the aligned flange holes of the base.

Push the rivet until it is in the closed and locked position



DISPLAY STANDS Ltd
WWW.DISPLAYSTANDS-UK.COM | SALES@DISPLAYSTANDS-UK.COM | 023 92632 633

3) Continue to add all 4 panels in the same manner and then add the top cap using the top two holes of each panel.

Un-locked

locked

4) All that remains is to assemble the pockets to the frame using the remaining rivets, 2 per pocket.

There are a series of holes on each panel. Choose two horizontal holes and use the rivets in the same way you used them to assemble the main unit.

You should be able to assemble 3 pockets per panel.

